

A New Software Approach for Exam Grade Management (Mark sheet Generator)

Hanmantrao Lokare, Hemant Ratnaparkhi, Nikhil Muni, Siddharth Agarwal

Abstract— Many software in the market are available for keeping the Student Academic records to simplify the work of faculty members of particular organization. The Exam Grade Management system is one of the software which mainly used for generating mark sheet of students and attendance. This system is based on credit based grading system (CBGS). The technology used in this system are open sourced. This proposal aims at developing and designing a system by providing a much simpler, easy to understand interface to handle student related data. The admin will insert, update, modify all the data whereas students can only view the marks and mark sheet. The development of a mark sheet is mainly at describing tables with columns/rows for summarizing of report [1]. The Exam Grade Management can be used in colleges by students to view their Results anytime. The proposed system accesses the student's information from database and generates the mark sheets and keeps the track of student attendance.

Index Terms— Mark-Sheet Generation, Grade Management, Software Management

I. INTRODUCTION

The Exam Grade Management system will help the user to generate the report card. During analysis, data is collected on various files; decision point and transaction handle by present system [4]. In our system software we have the provision for adding the details of the students. The marks of the students are added in the database and so students can also view the marks whenever they want. We will provide student with various options like viewing full batch score list, etc. In this software we can register as a user and can provide with unique login ID and password. Various methods are implemented in software to provide different functions to different kind of users.

Manuscript received April, 2016.

Hanmantrao Lokare, Computer Engineering, Mumbai University/ Shree L.R Tiwari College of Engineering, Mumbai, India, 9773616811.

Hemant Ratnaparkhi, Computer Engineering, Mumbai University/ Shree L.R Tiwari College of Engineering, Mumbai, India, 9702848659.

Nikhil Muni, Computer Engineering, Mumbai University/ Shree L.R Tiwari College of Engineering, Mumbai, India, 9768701949.

Siddharth Agarwal, Computer Engineering, Mumbai University/ Shree L.R Tiwari College of Engineering, Mumbai, India, 9768701949.

II. MOTIVATION

As we know, teachers are very hardworking towards forming young minds and putting their energies toward bettering the next generation. And also teachers hate marking, and they hate it with the heat of a thousand blazing exam papers and respectively maintaining records of all students simultaneously doing teaching. This motivates us to build this system to take off the work load of people doing this job of maintenance. Also the students who require a urgent copy of previous semester marks sheet and he has to make a whole round of application writing to receive copy of that. This motivated us so that he can get full record of his semester.

III. PROPOSED SYSTEM

The proposed system is an efficient way of using huge data and to provide mark sheets for credit based grading system (CBGS) in very user friendly and easily understandable pattern [2]. As the system is generalized, the system ensures to reduce manual errors by reducing manual efforts.

The technology is rapid, easy to use and easily generate, store & display the mark sheets of the students. The system provides reaction capabilities based on university rules with the information from the database.

IV. WORKING

In the system, the admin enters the marks of each student and related data. That associated information will be stored in database. In this system, grade based on CG pattern is generated automatically.

As described in the system after the paper is checked and the marks are inserted by the admin. That information will be stored in the database [3]. After inserting marks of all the students by the admin the mark sheet can be generated and can be viewed by all users Then application generates the mark sheet of all the students automatically. The mark sheet of every student will be stored in mark sheet database.

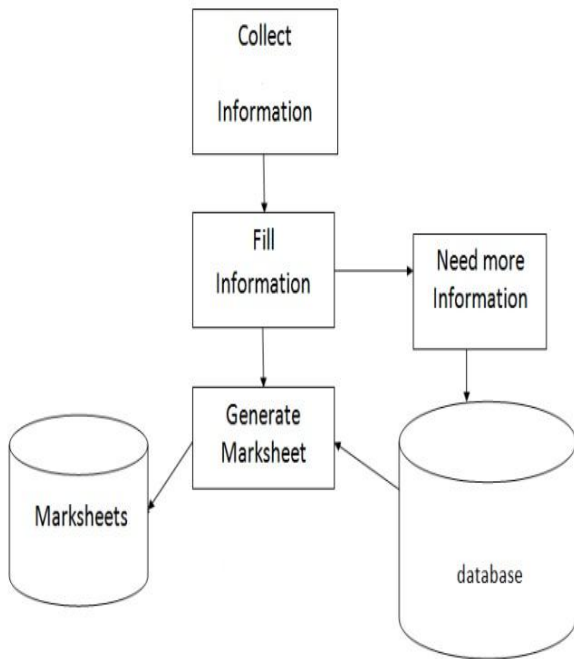


Fig .1 System Architecture of Exam Grade Management System

V. ALGORITHM

This is the way our system will work. Stepwise progress for our system are as follow:

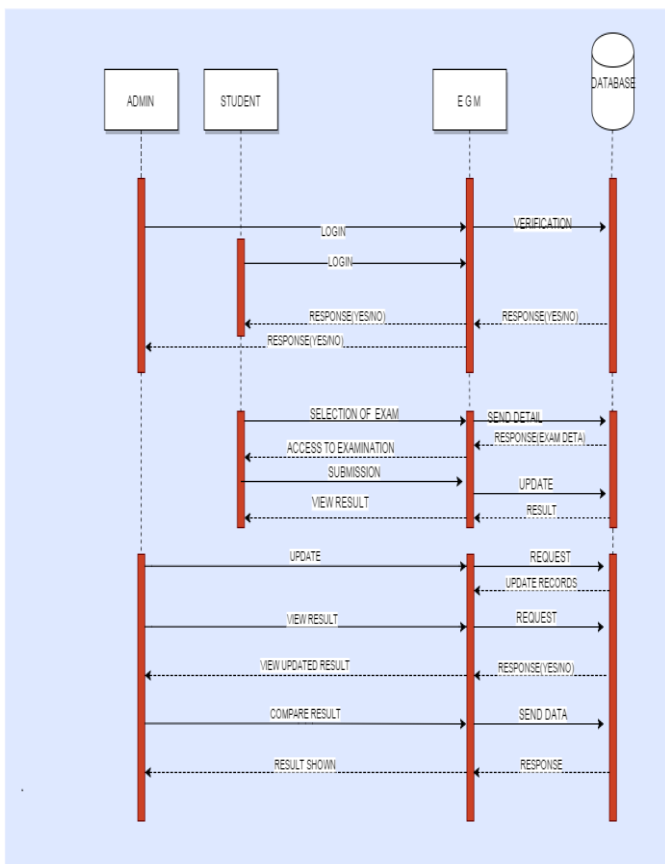


Fig .2 Collaboration Diagram

VI. IMPLEMENTATION

These are some of the screens of our developed software.

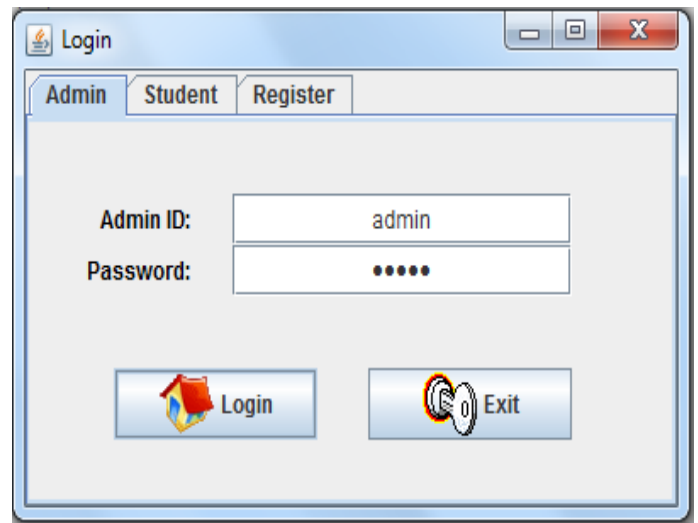


Fig .3 Login Window

Fig.3 shows login window of the system. It contains three tabs namely Admin, Student and Register. Admin user can access the system by using there Admin_ID and the password which provided by the authorized person.

Those student whose enrollment no. is there in system database can only access the sysytem. If the the student whose enrollment no is the system database but they are using the system for the first time, Then in such condition they have to first Register before logging to the system. While registering There Enrollment no is there user_ID and the the y have to select the password .

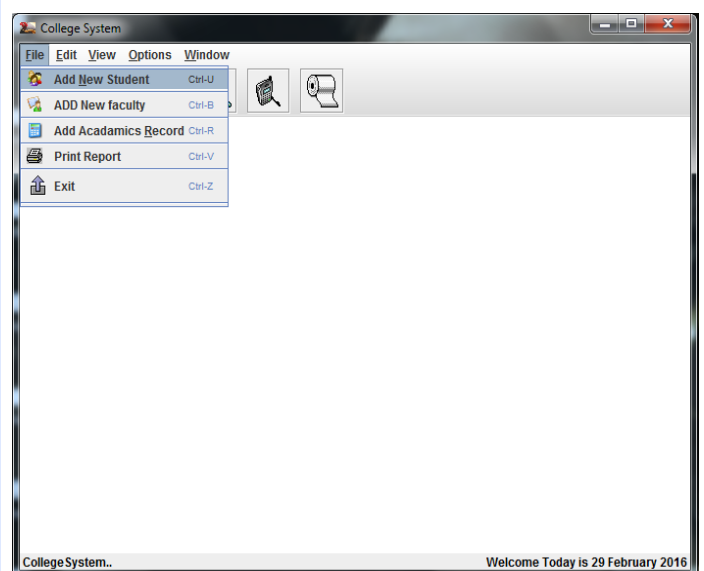


Fig .4 Admin Section

Fig .4 show the window of the admin section. Admin can View the student and faculty details. He/She can Add or Modify the Student or the Faculty details. He/She can also Find the Student or the Faculty from the entire

database. Admin also has the authority to view and update the report card.

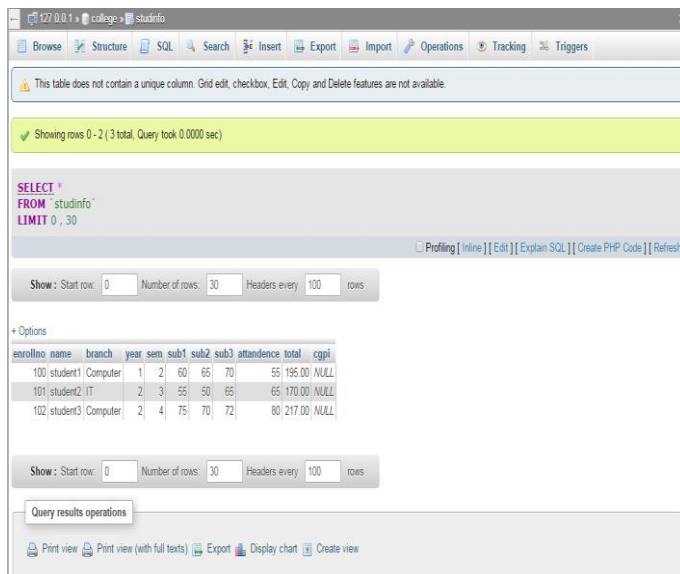


Fig .5 Scheme creations

Fig .5 shows the database of the system. Once the database is created, admin is able to manage all the academic details of the students.

VII. TECHNOLOGY AND SOME CONCEPTS

Java is used for making interface and also it is used for general purpose programming. In this system input can be marks of the students of their theory exams, practical exams, and term work. Grades student can be calculated according to formulae.

The formulae for calculation of grade performance index (GPI):

Semester Grade Performance Index (SGPI):

If a learner passes three courses in a semester with credits C1, C2, C3 and learner's grade points in the courses are G1, G2, G3 respectively, and then learners SGPI is equal to:

$$SGPI = (C1G1 + C2G2 + C3G3) / (C1 + C2 + C3)$$

Percentage of marks Obtain	Letter Grade	Grade Points
80.00 and above	O	10
75.00-79.99	A	9
70.00-74.99	B	8
60.00-69.99	C	7
50.00-59.99	D	6
45.00-49.99	E	5
40.00-44.99	P	4
Less than 40.00	F	0

Table .1 Grades and their equivalent grade points

VIII. RESULTS

In this module the results will be generated into the required format according to the college norms. The mark-sheet will be generated in the html format.

IX. CONCLUSION

We have designed the examination system for generating the mark sheet of the students by which all the details will be finally stored in an organized manner as per the new university norms into our database. The existing system has many disadvantages as they could be manipulated by other users and also if the mark sheets were lost, it was difficult to generate new one.

ACKNOWLEDGEMENT

We like to thank our Principle Dr. S. Ram Reddy for giving us the opportunity to present our paper and also for his valuable support.

We are extremely obliged to have Prof. Vinayak Shinde as our guide and would like to thank for his support and guidance without which we won't be able to do this.

Last but not the least without whom this won't be possible are my family members and friends.

REFERENCES

- [1] Sanket Mandare, Tyagraj Sonawane, Aman Trivedi, K. T. V. Reddy. PDF Marksheet Generator, I.J. Information Technology and Computer Science, 2014, 11, 36-41 published Online October 2014 in MECS (<http://www.mecspress.org/>)
- [2] Alexandros Biliris. An Efficient Database Storage Structure for Large Dynamic Objects Proceedings, IEEE Data Engineering Conference, Phoenix, Arizona, February 1992, pp. 301-308.
- [3] Mital Doshi —A predictive model for effective higher education, Proceedings of IEEE 2013 International Conference on Advance in Communication and Computing Technologies (ICACACT), Mumbai.
- [4] John Enderle, Nicholas Noyes, Abdullah A. AlAqeel —Custom report generator Proceedings of IEEE 26th Annual Bioengineering Conference, 2000.