

Development and Verification of VHDL code for 16 bit ADC for FPGA based Beam Position Measurement Board

Priti Trivedi, Sudeep Baudha

Abstract— *FPGA based designed card provide several advantages over custom designed IC based cards such as reduced cost, reduction in components, reduction in size ,easily coded . It is flexible because its parameters can be changed at any time by reprogramming the device.*

FPGA based VME Bus compatible four channels ADC card is used to acquire the Beam Position Indicator (BPI) electrode data. This card is having on-board 4-channel ADC (with signal conditioning electronics) and 8-channel Opto-coupler inputs. Additionally there is a memory available on-board to save digitized voltages. In all, the system is VME based so this card is a VME slave board where VME CPU card will be able to control the card and read the calculated beam position whenever it is available in memory.

Keywords-- *FPGA, VME, 4-channel ADC, e-beam position and BPI.*

I. INTRODUCTION

The goal of this paper is to develop and verify a VHDL^[5] code for 16 bit ADC for FPGA^[2] based Beam position measurement board. ADC is interfaced with VME bus and FPGA. The necessary signals are drawn from VME bus for interfacing. Signals from VME bus are interfaced to FPGA through buffers and logic level converters. SN74LS245D transceiver is used for bidirectional bus (data bus) is used, whereas SN74LS244D buffer IC is used for interfacing them to FPGA. 24 VME address lines are directly compared with board address (from DIP switches) and the two are compared to generated CS (board select signal) which is then passed to FPGA through buffer. This board has 4 channels for analog to digital conversion. Objective of this board is to digitize the four electrode signals received from BPI front end electronics at a sampling rate of 1Msps. This board also contains a CPLD (XC95108) from Xilinx®, which was incorporated to take care of interfacing with external RAM. CPLD will perform the objective to provide a RAM (external) based FIFO^[8]. An external RAM is used to store digitized voltages, and it is indirectly interfaced to FPGA through CPLD. For programming FPGA is used as a programmable device.

Priti Trivedi, Department of Electronics & Communication, Gyan Ganga College of Technology, Jabalpur, India, +91-8109327982, (e-mail: pritiiec2010@gmail.com).

Sudeep Baudha, Department of Electronics & Communication, Gyan Ganga College of Technology, Jabalpur, India, +91-9589225871., (e-mail: sudeepbaudha@gmail.com).

FPGA based designed card provide several advantages over custom designed IC based cards such as reduced cost, reduction in components, reduction in size ,easily coded . It is flexible because its parameters can be changed at any time by reprogramming the device.

II. VME BUS

The VME bus^[1] specification defines an interfacing system used to interconnect microprocessors, data storage, and peripheral control devices in a closely coupled hardware configuration. The system has been conceived with the following objectives:

- a. To allow communication between devices on the VME bus without disturbing the internal activities of other devices interfaced to the VME bus.
- b. To specify the electrical and mechanical system characteristics required to design devices that will reliably and unambiguously communicate with other devices interfaced to the VME bus.
- c. To specify protocols that precisely defines the interaction between the VME bus and devices interfaced to it.
- d. To provide terminology and definitions that describes system protocol.
- e. To allow a broad range of design latitude so that the designer can optimize cost and/or performance without affecting system compatibility.
- f. To provide a system where performance is primarily device limited, rather than system interface limited^[3].

III. HARDWARE

On board FPGA is identified as the central intelligent unit to manage most of the interfaces, process the raw data received through ADCs^[6]. In addition to this, FPGA^[4] is also responsible for communication with VME interface and give appropriate response and data for read/write commands received from VME master. FPGA will also have indirect interface (through on board CPLD) to on board static RAM, which will contain digitized values.

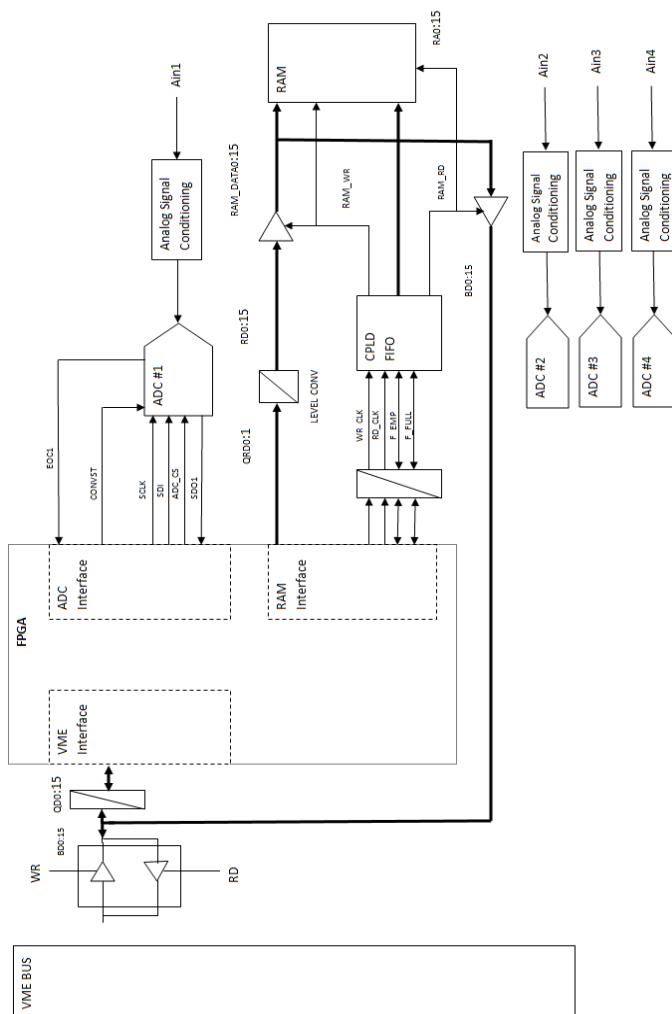


Figure 1 : Block Diagram of the VME Slave Card

IV. FEATURES OF THE CARD

- 1) Fully compatible with existing Accelerator Controls architecture i.e. it will be VME based.
- 2) BPI electrode signals (analog) are taken and simultaneously sampled through four 1MSPS, 16 bits ADC.
- 3) On board 64K word (16 bits) memory will be available to store digitized values.
- 4) Board also has 8-channels for optocoupler isolated inputs.
- 5) Spartan-3 based XC3S200-4TQ144 FPGA from Xilinx® is mounted on the board.
- 6) VME Interrupt logic is integrated to interrupt CPU card as and when the memory with beam position data is full. Interrupt logic may be configured for any other purpose through VHDL coding.
- 7) All the power requirements supplies for FPGA (1.2V, 2.5V and 3.3V), supplies for ADC and opamps (+-15V, +5V) are generated on board using linear regulators and switching regulators.
- 8) FPGA configuration solution is provided on board so that FPGA can be reprogrammed at any time in future. For this purpose JTAG port is provided onboard and Xilinx® ISP EPROM is also available on board to keep configuration data when power is OFF.

- 9) Signal conditioning of electrode signal (analog) is done before feeding it to the ADC.

V. TOOLS USED

- Xilinx ISE Design Suite 12.4
- ModelSim 6.4
- EASy68K EDITOR/ASSEMBLER V5.6.
-

VI. TEST PROCEDURE

- 1) Continuity test between different probable test points.
- 2) Check the supply voltage.
- 3) Setting of different Jumper to make connection path between analog input source and ADC input pin.
- 4) Download VHDL program into FPGA.
- 5) Open HyperTerminal software and apply necessary settings and then load EASy68K program.
- 6) Analog input of range from 0V to 5V is given to all four ADC's.
- 7) Execute assembly program from HyperTerminal using 'GD' (Go Direct).
- 8) Record different waveforms (SCLK, CS_ADC, CS_FPGA, SDI, SDO, CONVST, EOC) using CRO and Compare it with standard result.

Open HyperTerminal with following settings:-

Bits per second : 38400
Data bits : 8
Parity : None
Stop bits : 1
Flow Control : None

VME Crate is connected to Serial Port of the Computer. Monitor program is started through hyper terminal and then EASy68K program is loaded in the OS-9 Operating System. VME crate is connected with the CPU card which also connect 4-channel ADC card. Input to FPGA is provided from VME BUS.

The chip select of FPGA is shown by channel 1 and serial clock which is given to ADC is shown by channel 4. Whenever send configuration and read command is to ADC the chip select of FPGA becomes low for 0.5 us and 16 serial clocks (SCLK) are send to ADC.

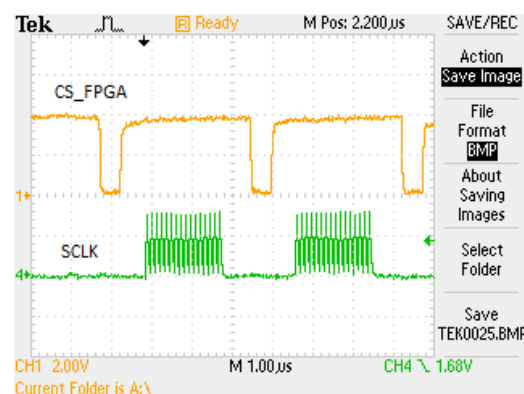


Figure 2 : Waveform of CS_FPGA and SCLK

After issuing send configuration command settings which is to be done in ADC is sent through serial data in (SDI) pin of ADC with 16 serial clocks. The serial clock (SCLK) is shown by channel 1 and serial data in (SDI) which is given to ADC is shown by channel 4 in figure 3.

Conversion start command is given to ADC. After 780 ns when conversion is over end of conversion signal is given by ADC then by issuing a read command converted data can be read through serial data out (SDO) pin of ADC with 16 serial clocks. The serial clock (SCLK) is shown by channel 1 and serial data out (SDO) which is given to ADC is shown by channel 4 in figure 4.

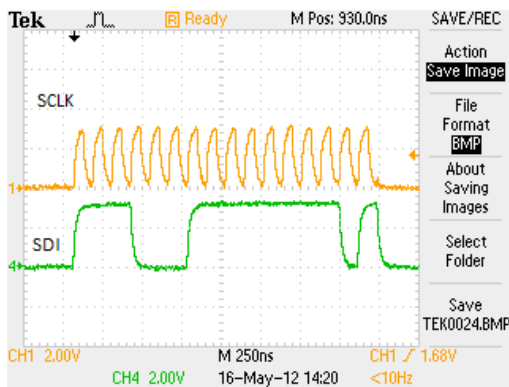


Figure 3 : Waveform of SCLK and SDI

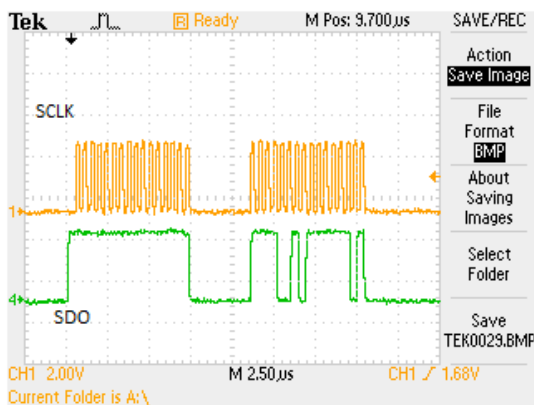


Figure 4 : Waveform of SCLK and SDO

Channel 2 shows serial data in (SDI) pin of ADC which gives send configuration command and read command. Channel 1 show 16 serial clocks given to ADC at the time of sending and reading data. Channel 4 shows serial data out (SDO) which gives converted data from ADC.

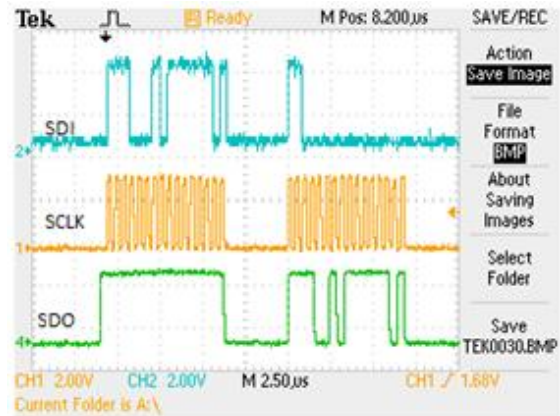


Figure 5 : Waveform of SCLK, SDI, SDO

When conversion data is given to VME data bus to read through HyperTerminal a Data Acknowledge signal (DTACK) is given by VME to ensure that valid data is available in Bus.

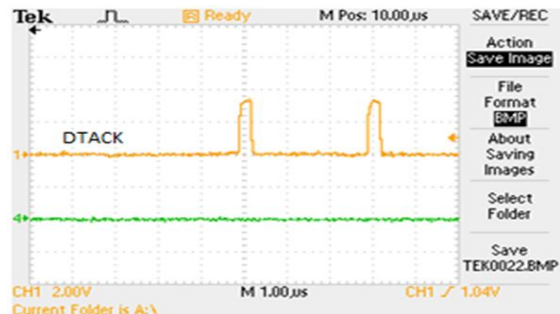


Figure 6 : Waveform of DTACK

VII. DEVICE UTILIZATION SUMMARY

Table 1 : Device Utilization for VME Interfaced with ADC

	USED CAPACITY	WHOLE CAPACITY	PERCENTAGE OF CAPACITY
SLICES	1,248	3,840	32%
LOOKUP TABLES	1,626	3,840	42%
FLIP FLOP	1,053	1,248	84%
IO SIGNALS	65	97	67%

VIII. Result

```

S123119C18004DF81800303830021E3C00E84E41CF00201E3C00E94E4E4EF8100031F9B1
S12311BC0090000E30044BF818004DF81800303830041E3C00E84E41CF00201E3C00E396
S12311DC4E4E4EF8100031F90090001230064BF818004DF81800303830061E3C00E84E4E4C7
S12311FC1CF000201E3C00E34E4E4EF8100031F90090001E30004BF818004DF818003038302
S123121C30081E3C00E84E41CF00201E3C00E34E4E4EF8100031F90090001E30004BF8E4
S123123C18004DF81800303830001E3C00E84E4E41CF00201E3C00E34E4E4EF81000303FC03
S113125C1180009000184EF810004EF90000814661
S804001000EB

TUTOR 1.3 > GO 1000
PHYSICAL ADDRESS=00001000
SS1600000
Y7649 ADC 1
Z77E6 ADC 2
W7715 ADC 3
PRE229 ADC 4
R5934 X POS
RW7F33 Z POS
X0004
Y7653
Z77E6
PR0F25
BCD47

```

Figure 7 : HyperTerminal window showing ADC data and calculated positions in HEX Format



Figure 8 : Four Channel ADC Card



Figure 9 : ADC Card Attached in VME Crate

IX. CONCLUSION

The 4 channel ADC Card is used for converting analog input to 16 bit digitized value. The four digitized voltages can be stored in RAM using FIFO logic. This board can also be used as general purpose board.

ACKNOWLEDGMENT

The pre-requisites for a task to be successfully completed are constant inspiration, guidance and good working environment. Fortunately all the above requirements were satisfied at Accelerator Control Section (ACS) Lab of Accelerator Control and Beam Diagnostic Division (ACBDD), RRCAT Indore (M.P.), where I carried out my project work. I feel privileged to express my heartiest thanks and gratitude to guide Mr. Sudeep Baudha, Shri. K. Saifee Scientific Officer-F, RRCAT, Mr. C.P. Navathe (Division Head, ACBDD, RRCAT), Mr. Pravin Fatnani (Head,

RRCAT) and Prof. Avinash Gaur (HOD ECE, GGCT, Jabalpur) for providing me the time, resources and invaluable guidance and encouragement throughout the whole work. I sincerely wish to express my gratefulness to all the staff members of Accelerator Control Section, RRCAT, Indore and GGCT, Jabalpur.

REFERENCES

- [1]. John Rynearson, "VME bus [Basic description of the world's]".
- [2]. Russell Tessier, Member, IEEE, Vaughn Betz, Member, IEEE, David Neto, Aaron Egier, Member, IEEE, and Thiagaraja Gopalsamy "Power-Efficient RAM Mapping Algorithms for FPGA Embedded Memory Blocks" IEEE Transactions on Computer-Aided Design of Circuits and Systems, 2006.
- [3]. Dominique Breton1, Eric Delagnes and Michael Houry "Very High Dynamic Range and High Sampling Rate VME Digitizing Boards for Physics Experiments" published in "IEEE Nuclear Science Symposium and Medical Imaging Conference (NSS/MIC - 2004).
- [4]. Nasri Sulaiman, Zeyad Assi Obaid, M. H. Marhaban and M. N. Hamidon, "Design and Implementation of FPGA-Based Systems" Australian Journal of Basic and Applied Sciences, 3(4): 3575-3596, 2009 ISSN 1991-8178 © 2009, INSInet Publication.
- [5]. J. Bhasker, "A VHDL Primer (3rd Edition)", Prentice Hall India Publisher, 1999.
- [6]. Sun JiangFeng Chen Feng, "The IP Soft Core Design of ADC and PLD Verification", Proceedings of the Third International Symposium on Electronic Commerce and Security Workshops (ISECS '10) Guangzhou, P. R. China, 29-31, July 2010, pp. 014-017.



Priti Trivedi was born on 15th August at Jabalpur (M.P.) She obtained her B.E. from Gyan Ganga Collere of Technology, Jabalpur in ECE department in 2010. She is persuing her M.Tech in Digital Communication from GGCT, Jabalpur. She had undergone 6 months project training of Embedded Systems from Department of Atomic Energy, RRCAT, Indore. She has presented 2 research papers in different National Conferences.

Her areas of interest are Digital Communication and FPGA.

Sudeep Baudha has received his B.E.in ECE from Govt. College, Ujjain and M.Tech in Radio Frequency and Microwave from IIT Kharagpur. He has presented various papers at National Conferences. His areas of interest include Microwave, Antenna and Radar.